

d2- A 74A 00, 74A 00

Description

Features

-
-
-

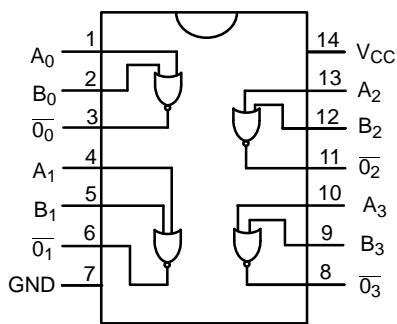
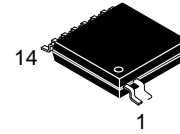


Figure 1. Connection Diagram

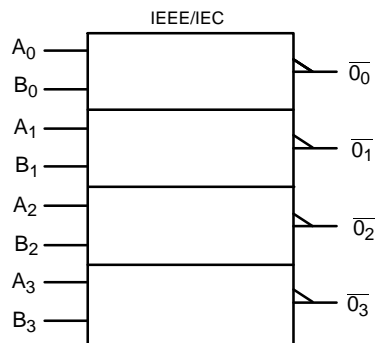
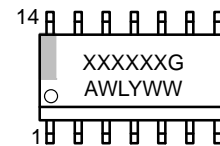


Figure 2. Logic Symbol

PIN DESCRIPTION

| Pin Name | Pin Description |
|---------------------------------|-----------------|
| A _n , B _n | Inputs |
| \overline{O}_n | Outputs |

MARKING DIAGRAM



- XXX = Specific Device Code
- A = Assembly Location
- WL = Wafer Lot
- Y = Year
- WW = Work Week
- G = Pb-Free Package

ORDERING INFORMATION

See detailed ordering and shipping information in the package dimensions section on page 5 of this data sheet.

74AC00, 74ACT00

74AC00, 74ACT00

DC ELECTRICAL CHARACTERISTICS FOR AC

| Symbol | Parameter | V _{CC} (V) | Conditions | T _A = +25°C | | T _A = -40°C to +85°C | | Unit |
|-----------------|--------------------|---------------------|------------|------------------------|-------------------|---------------------------------|--|------|
| | | | | Typ. | Guaranteed Limits | | | |
| V _{IH} | Minimum HIGH Level | | | | | | | |

74AC00, 74ACT00

DC ELECTRICAL CHARACTERISTICS FOR ACT

| Symbol | Parameter | V _{CC} (V) | Conditions | T _A = +25°C | | T _A = -40°C to +85°C | | Unit |
|-----------------|----------------------------------|---------------------|---|------------------------|-------------------|---------------------------------|--|------|
| | | | | Typ. | Guaranteed Limits | | | |
| V _{IH} | Minimum HIGH Level Input Voltage | 4.5 | V _{OUT} = 0.1 V or V _{CC} - 0.1 V | 1.5 | 2.0 | 2.0 | | V |
| | | 5.5 | | 1.5 | 2.0 | 2.0 | | |
| V _{IL} | | | | 1.5 | 0.8 | 0.8 | | V |
| | | | | 1.5 | 0.8 | 0.8 | | |
| V _{OH} | | | | 4.49 | 4.4 | 4.4 | | V |
| | | | | 5.49 | 5.4 | 5.4 | | |

74AC00, 74ACT00

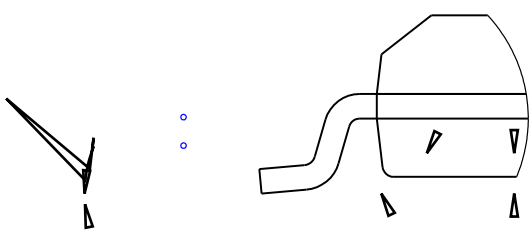
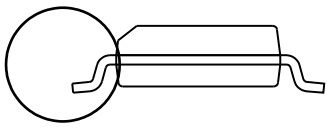
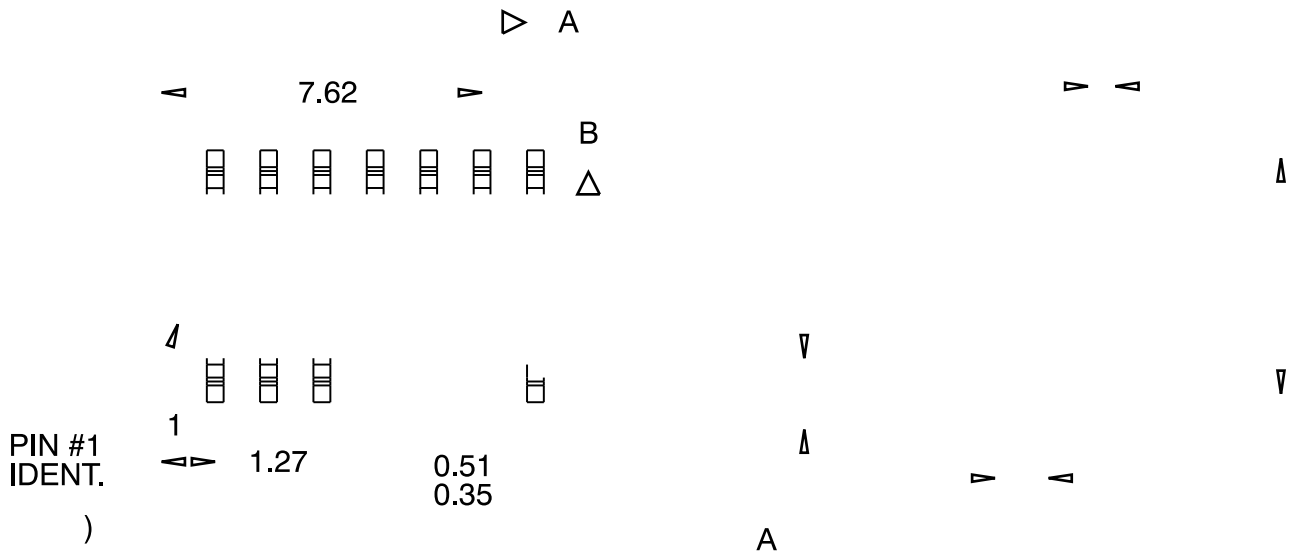
CAPATICANCE

| Symbol | Parameter | Conditions | Typ. | Unit |
|-----------------|-------------------------------|-------------------------|------|------|
| C _{IN} | Input Capacitance | V _{CC} = OPEN | 4.5 | pF |
| C _{PD} | Power Dissipation Capacitance | V _{CC} = 5.0 V | 30.0 | pF |

ORDERING INFORMATION

| Order Number | Marking | Package | Shipping (Qty / Packing) [†] |
|--------------|----------|------------------------------------|---------------------------------------|
| 74AC00MTCX | AC 00 | TSSOP-14 (Pb-Free/Halogen Free) | 2500 / Tape & Reel |
| 74ACT00MTCX | | | |

SOIC14



onsemi, **onsemi**, and other names, marks, and brands are registered and/or common law trademarks of Semiconductor Components Industries, LLC dba "**onsemi**" or its affiliates and/or subsidiaries in the United States and/or other countries. **onsemi** owns the rights to a number of patents, trademarks, copyrights, trade secrets, and other intellectual property. A listing of **onsemi**'s product/patent coverage may be accessed at www.onsemi.com/site/pdf/Patent-Marking.pdf. **onsemi** reserves the right to make changes at any time to any products or information herein, without notice. The information herein is provided "as-is" and **onsemi** makes no warranty, representation or guarantee regarding the accuracy of the information, product features, availability, functionality, or suitability of its products for any particular purpose, nor does **onsemi** assume any liability arising out of the application or use of any product or circuit, and specifically disclaims any and all liability, including without limitation special, consequential or incidental damages. Buyer is responsible for its products and applications using **onsemi**
