

MENDED FO

DK
IDM

DISCO

DI

THI
DISCONTINUED

D

DISCON

THI
DISCONTINUED

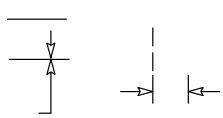
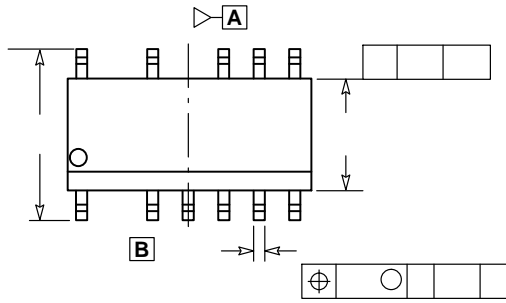
THI
DISCONTINUED

DI

DIS

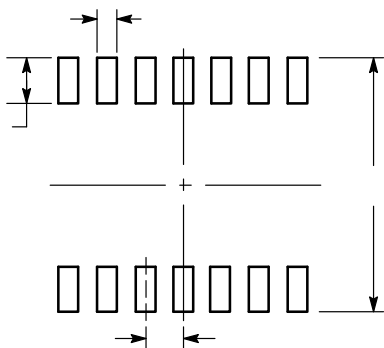


SOIC-14



TO02590386SIDE VIEW 008 4.0 m0 j5 1e153184 624 6163208 450765 90 105563 5483 cm0 105563 5483 cm0 6 390954

**RECOMMENDED
SOLDERING FOOTPRINT***



onsemi

onsemi, **onsemi**, and other names, marks, and brands are registered and/or common law trademarks of Semiconductor Components Industries, LLC dba "**onsemi**" or its affiliates and/or subsidiaries in the United States and/or other countries. **onsemi** owns the rights to a number of patents, trademarks, copyrights, trade secrets, and other intellectual property. A listing of **onsemi**'s product/patent coverage may be accessed at www.onsemi.com/site/pdf/Patent-Marking.pdf. **onsemi** reserves the right to make changes at any time to any products or information herein, without notice. The information herein is provided "as-is" and **onsemi** makes no warranty, representation or guarantee regarding the accuracy of the information, product features, availability, functionality, or suitability of its products for any particular purpose, nor does **onsemi** assume any liability arising out of the application or use of any product or circuit, and specifically disclaims any and all liability, including without limitation special, consequential or incidental damages. Buyer is responsible for its products and applications using **onsemi**
