



# AR0235CS

## ORDERING INFORMATION

**Table 2. AVAILABLE PART NUMBERS**

Part Number	Product Description	Product Attribute Description
AR0235CSSM00SMKA0-CP	Mono, 0 CRA	CSP with Protective Film
AR0235CSSM00SMKA0-CP2	Mono, 0 CRA	CSP with Protective Film, MOQ 50 Pieces
AR0235CSSM00SMKA0-CR	Mono, 0 CRA	CSP without Protective Film
AR0235CSSM00SMKAH3-GEVB	Mono, 0 CRA	

# AR0235CS

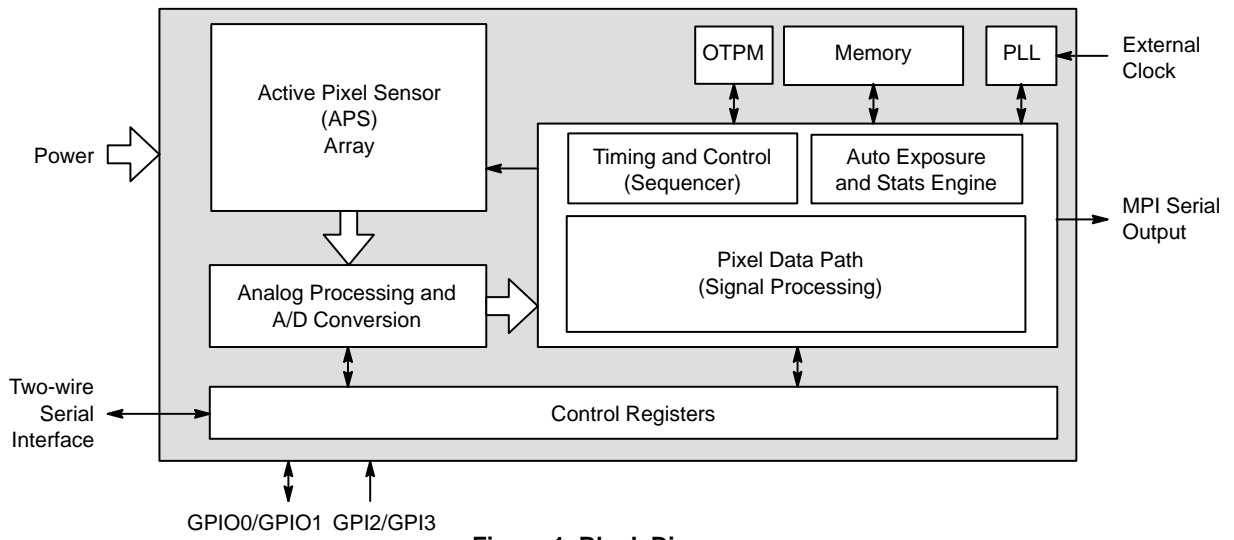
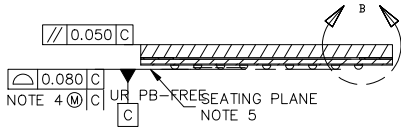
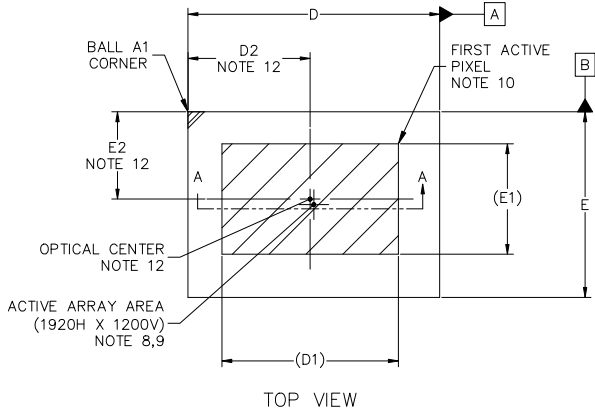


Figure 1. Block Diagram



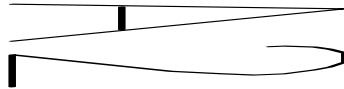
**ODCSP62 7.66x5.65x0.62, 0.70P**  
**CASE 570CY**  
**ISSUE B**

DATE 09 DEC 2024



STRATE

GY AND SOLDERING DETAILS,



**onsemi**, **onsemi**, and other names, marks, and brands are registered and/or common law trademarks of Semiconductor Components Industries, LLC dba "**onsemi**" or its affiliates and/or subsidiaries in the United States and/or other countries. **onsemi** owns the rights to a number of patents, trademarks, copyrights, trade secrets, and other intellectual property. A listing of **onsemi**'s product/patent coverage may be accessed at [www.onsemi.com/site/pdf/Patent-Marking.pdf](http://www.onsemi.com/site/pdf/Patent-Marking.pdf). **onsemi** reserves the right to make changes at any time to any products or information herein, without notice. The information herein is provided "as-is" and **onsemi** makes no warranty, representation or guarantee regarding the accuracy of the information, product features, availability, functionality, or suitability of its products for any particular purpose, nor does **onsemi** assume any liability arising out of the application or use of any product or circuit, and specifically disclaims any and all liability, including without limitation special, consequential or incidental damages. Buyer is responsible for its products and applications using **onsemi**

---

---