

Description

TM

Table 1. KEY PERFORMANCE PARAMETERS

Parameter	Typical Value	
Optical Format	XGS 5000	2/3-inch (10.6 mm Diagonal)
	XGS 3000	1/2-inch (8.2 mm Diagonal)
	XGS 2000	1/2.2-inch (7.3 mm Diagonal)
Active Pixels	XGS 5000	2592 (H) x 2048 (V)
	XGS 3000	2048 (H) x 1536 (V)
	XGS 2000	1920 (H) x 1200 (V)
Pixel Size	3.2 μm	
Color Filter Array	Monochrome, Bayer	
Shutter Type	Global Shutter	
Input Clock	32.4 MHz	
Output Interface	HiSPi (16 Lanes – 777.6 Mbps/lane)	
Frame Rate (12-bit)	16 Lanes (–X4)	
	XGS 5000	132
	XGS 3000	175
	XGS 2000	220
	4 Lanes (–X5)	
	XGS 5000	43
Read Noise	4 e <sup>-</sup> (1x), 1.9 e <sup>-</sup> (4x)	
SNR <sub>MAX</sub>	40 dB	
Dynamic Range	68 dB	

Package	163–
---------	------

## XGS Family

**Table 2. ORDERABLE PART NUMBERS** (Note 2)

Part Number	Product Description				Speed Grade	Resolution (H x V)
NOIX4SN5000B-LTI	5 MP	Mono	Production device	0 CRA	16 Lanes	2592 x 2048
NOIX4SE5000B-LTI	5 MP	Color	Production device	0 CRA		
NOIX4SF5000B-LTI	5 MP	Color	Production device	4.7 CRA		
NOIX5SN5000B-LTI	5 MP	Mono	Production device	0 CRA	4 Lanes	
NOIX5SE5000B-LTI	5 MP	Color	Production device	0 CRA		

NOIX4SF3000B-LTI	3 MP	Color	Production device	4.7 CRA	16 Lanes	2048 x 1536
NOIX4SP3000B-LTI	3 MP	Mono	Production device	4.7 CRA		

NOIX4SN2000B-LTI	2 MP	Mono	Production device	0 CRA	16 Lanes	1920 x 1200
NOIX4SE2000B-LTI	2 MP	Color	Production device	0 CRA		

1. Production Device part numbers are listed for informational purpose only. Production Device part numbers are not available for orders at this time. Please contact **onsemi** for availability dates.
2. See the **onsemi** Device Nomenclature document (TND310/D) for a full description of the naming convention used for image sensors. For reference documentation, including information on evaluation kits, please visit our web site at [www.onsemi.com](http://www.onsemi.com).

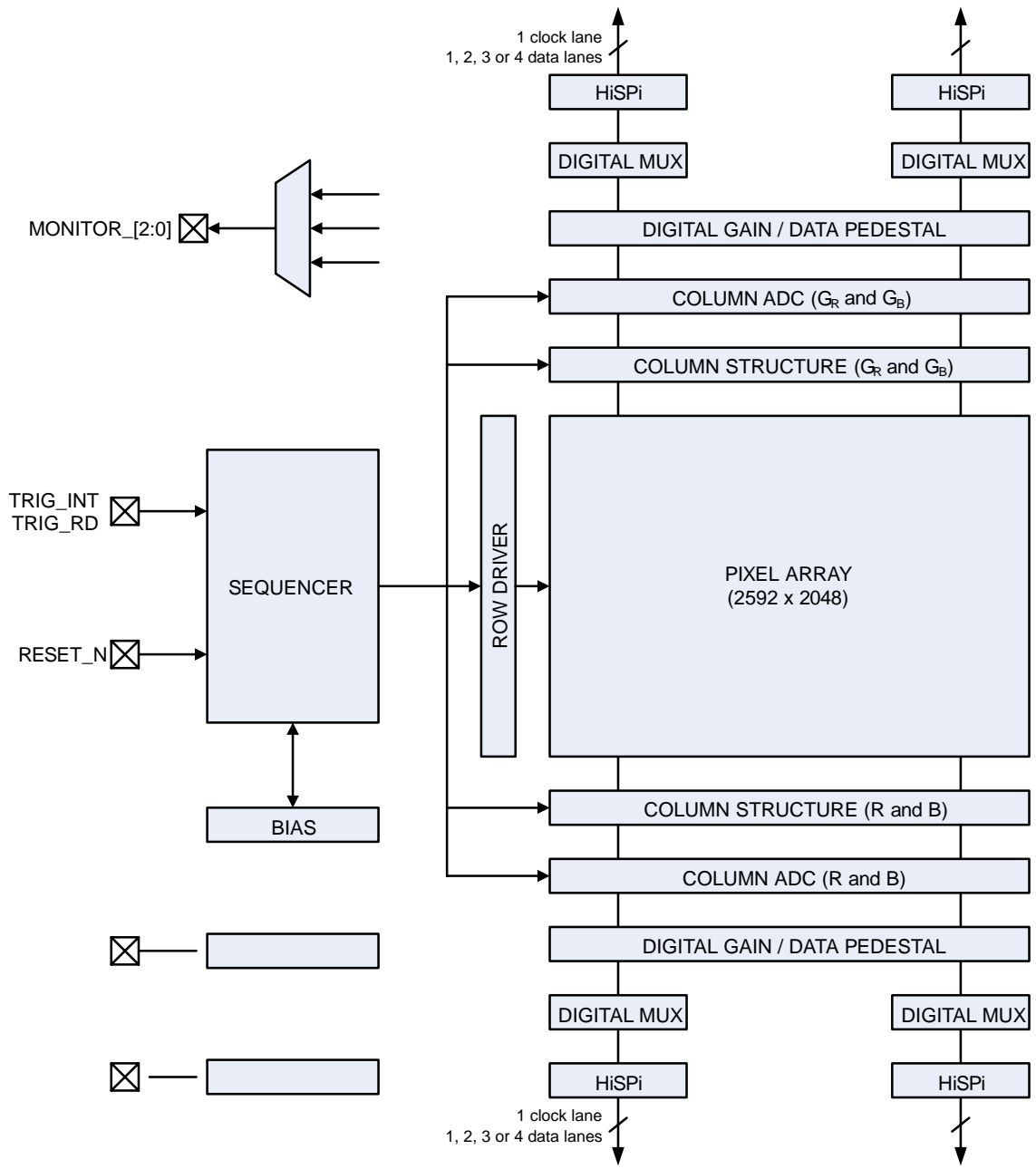
**Table 3. ORDERING INFORMATION EVALUATION KITS**

Part Number	Product Description	Additional Information
NOIX4SN5000KBLFB-GEVB	Sensor Headboard (5 MP, Mono, 16-Lane)	Demo Kit Headboard (incl. NOIX4SN5000KB-LTI) (Note 3)
NOIX4SE5000KBLFB-GEVB	Sensor Headboard (5 MP, Color, 16-Lane)	Demo Kit Headboard (incl. NOIX4SE5000KB-LTI) (Note 3)
AGBAN6CS-GEVK	Frame Buffer Demo Board	AP21088 including Power Adapter
AGB1N0CS-GEVK	Demo 3 Board	FPGA Base Board including USB Cable and Tripod

3. Sensors are soldered to the headboard.

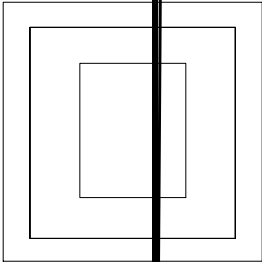


# XGS Family



**ILGA163 16x16**  
CASE 710AB  
ISSUE D

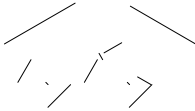
DATE 03 JUN 2022



TOP VIEW



SECTION



**GENERIC  
MARKING DIAGRAM\***

XXXX = Specific Device Code  
Y = Year  
ZZZ = Assembly Lot Code

\*This information is generic. Please refer to device data sheet for actual part marking. Pb-Free indicator, "G" or microdot "▪", may or may not be present. Some products may not follow the Generic Marking.

**onsemi**, **onsemi**, and other names, marks, and brands are registered and/or common law trademarks of Semiconductor Components Industries, LLC dba "**onsemi**" or its affiliates and/or subsidiaries in the United States and/or other countries. **onsemi** owns the rights to a number of patents, trademarks, copyrights, trade secrets, and other intellectual property. A listing of **onsemi**'s product/patent coverage may be accessed at [www.onsemi.com/site/pdf/Patent-Marking.pdf](http://www.onsemi.com/site/pdf/Patent-Marking.pdf). **onsemi** reserves the right to make changes at any time to any products or information herein, without notice. The information herein is provided "as-is" and **onsemi** makes no warranty, representation or guarantee regarding the accuracy of the information, product features, availability, functionality, or suitability of its products for any particular purpose, nor does **onsemi** assume any liability arising out of the application or use of any product or circuit, and specifically disclaims any and all liability, including without limitation special, consequential or incidental damages. Buyer is responsible for its products and applications using **onsemi**

---

---