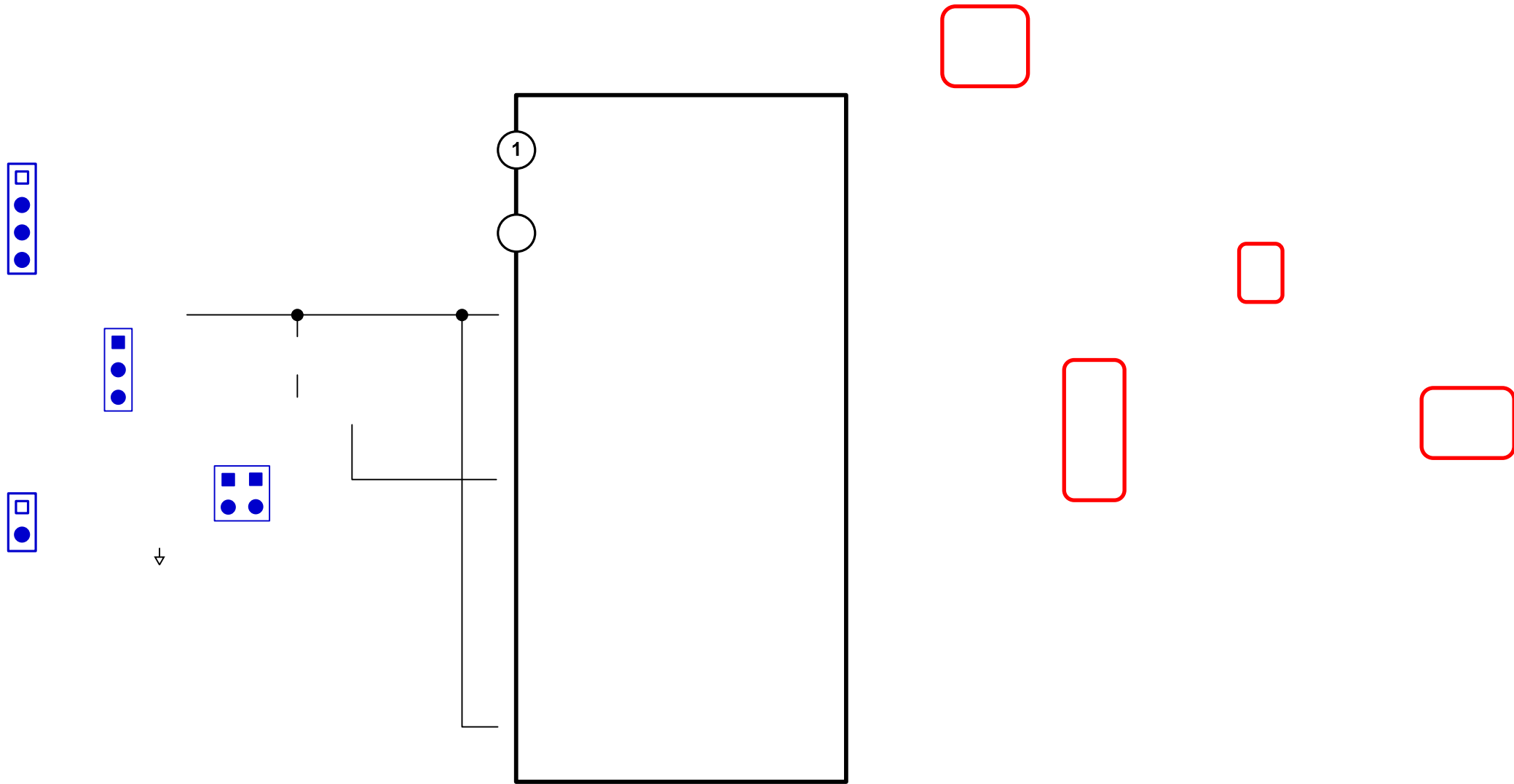
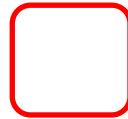
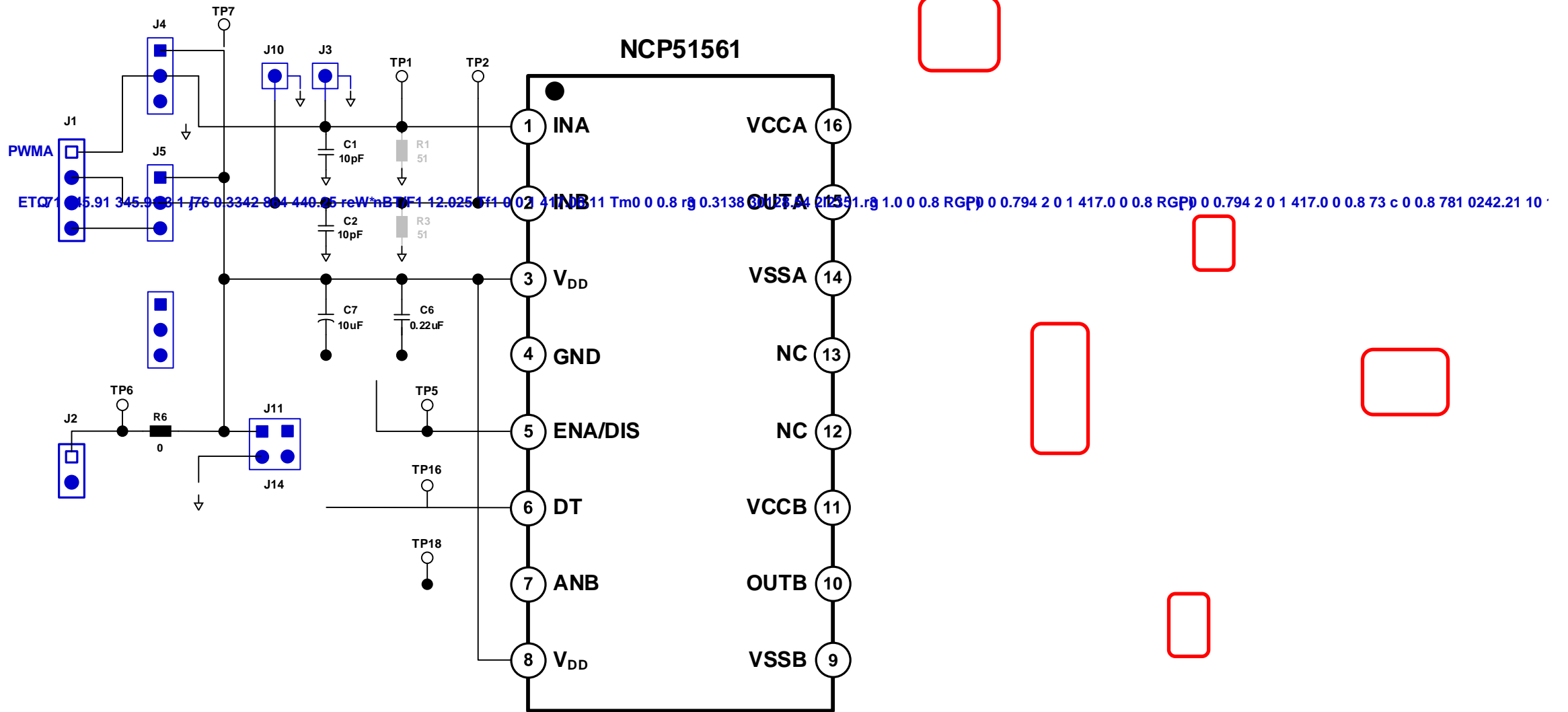
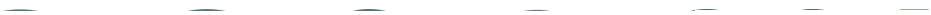


EVBUM2817 - Type-B EVB Schematic for TO247-4L



EVBUM2817 - Type-C EVB Schematic for D2PAK-7L





Follow Us @onsemi



www.onsemi