

1

2

3

4

5

6

7

8

A

A

B

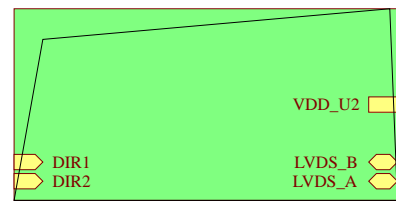
B

C

C

D

D



1

2

3

4

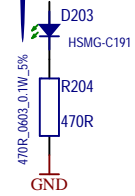
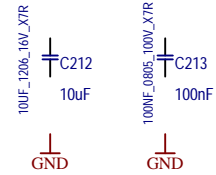
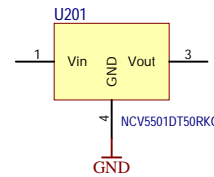
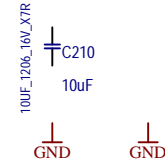
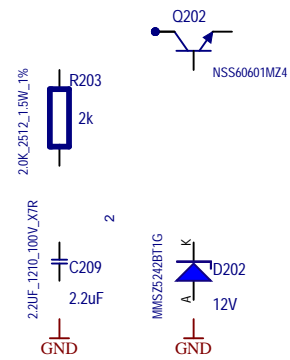
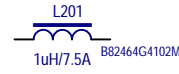
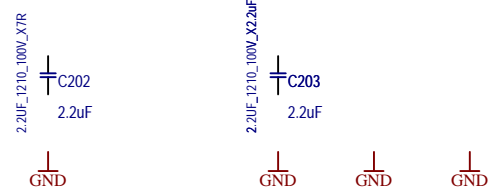
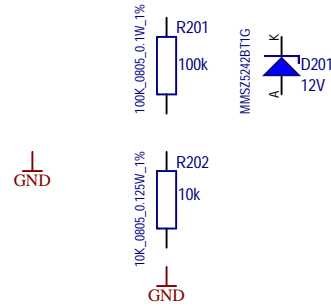
5

6

7

8

VBAT



VBB  
12V\_COM

12V\_COM

5V\_COM

		Automotive Products Division Videnska 204/125 619 00 Brno Czech Republic			
		PCB PROJECT	NCV78343 EVK	VARIANT	[No Variations]
SCHEMATIC		NCV78343_EVK_V4_Power.SchDoc			
CUSTOMER		onsemi	AUTHOR		Jiri Daniel
STATUS		PRODUCTION			
Size	REV.	SHEET No.	TOTAL SHEETS	TIMESTAMP	REVISION
A3		2	8	30.08.2022 15:23:15	



1

2

3

4

5

1

2

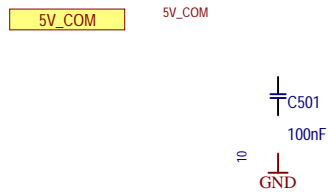
3

4

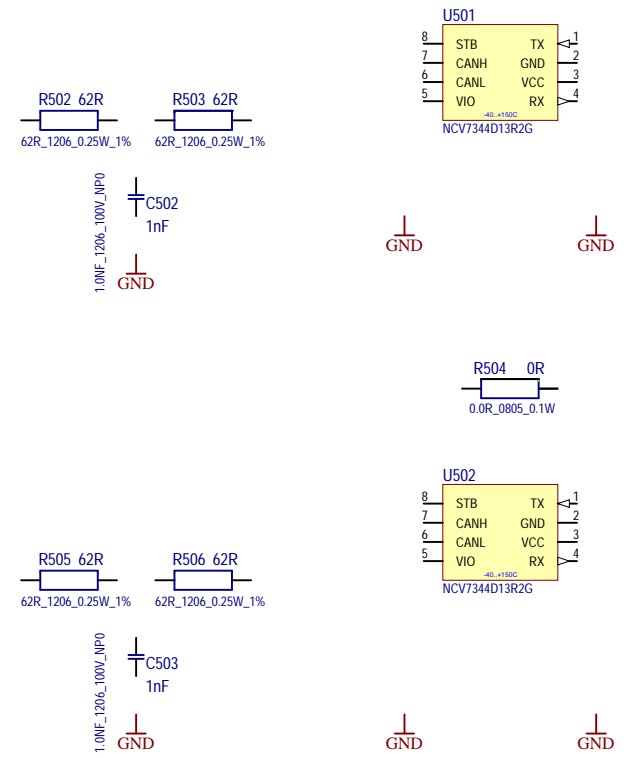
5

6

# UART OVER CAN PHYSICAL LAYER

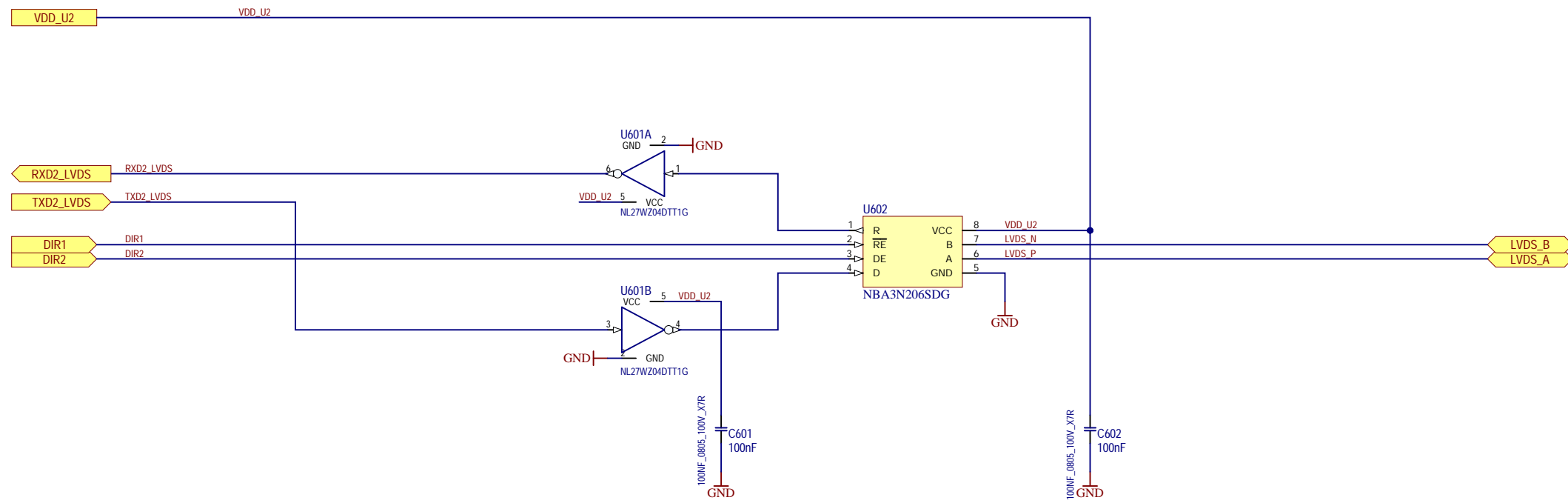


RXD2\_CAN  
TXD2\_CAN



		Automotive Products Division Videnska 204/125 619 00 Brno Czech Republic						
		PCB PROJECT	NCV78343 EVK			VARIANT	[No Variations]	
SCHEMATIC							NCV78343_EVK_V4_CAN_PHY.SchDoc	
CUSTOMER				onsemi	AUTHOR			Jiri Daniel
STATUS							PRODUCTION	
Size	REV.	SHEET No.	TOTAL SHEETS	TIMESTAMP		REVISION		
A3		5	8	30.08.2022 15:23:15				

# UART OVER M-LVDS PHYSICAL LAYER



		Automotive Products Division Videnska 204/125 619 00 Brno Czech Republic			
		PCB PROJECT	NCV78343 EVK	VARIANT	[No Variations]
SCHEMATIC		NCV78343_EVK_V4_M-LVDS_PHY.SchDoc			
CUSTOMER		onsemi	AUTHOR	Jiri Daniel	
STATUS		PRODUCTION			
Size	REV.	SHEET No.	TOTAL SHEETS	TIMESTAMP	REVISION
A3		6	8	30.08.2022 15:23:15	

1

2

3

4

5

6

7

8

C

D

D

1

2

3

4

5

6

7

8

1

2

3

4

5

6

7

8

A

A

B

B

C

C

D

D

Automotive Products Division  
Videnska 204/125  
619 00  
Brno  
Czech Republic

PCB PROJECT NCV78343 EVK VARIANT [No Variations]

SCHEMATIC NCV78343\_EVK\_V4\_Device\_2.SchDoc

CUSTOMER onsemi AUTHOR Jiri Daniel

**PRODUCTION**

Size	REV.	SHEET No.	TOTAL SHEETS	TIMESTAMP
A3		8	8	30.08.2022 15:23:16

1

2

3

4

5

6

7

8

1.1C