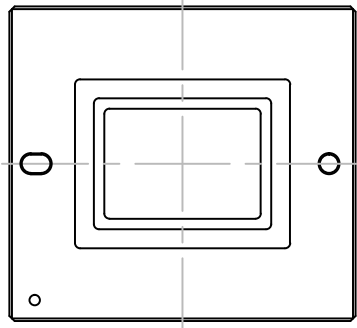


CPGA135 33x30  
CASE 107EY  
ISSUE O

DATE 09 DEC 2014



*Handwritten signature or mark*