

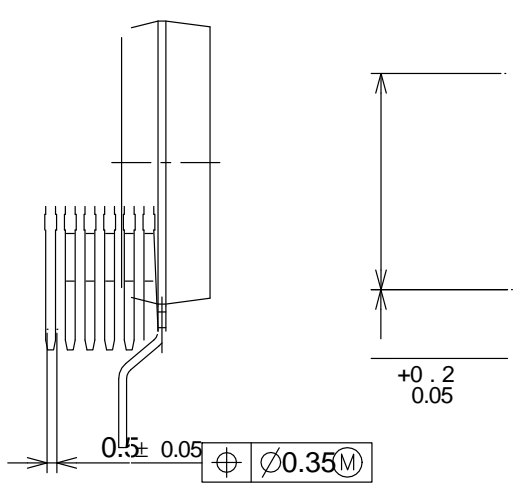
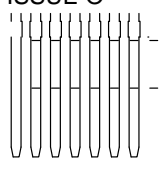
DESCRIPTION:	SIP19 24.2X14.4
--------------	-----------------

onsemi and Onsemi are trademarks of Semiconductor Components Industries, LLC dba onsemi. onsemi reserves the right to make changes without further notice to any products herein. onsemi makes no warranty, representation or claim, in any jurisdiction, for any products herein, for any special, consequential or incidental damages. onsemi does not convey any license under its patents, trademarks or other intellectual property rights.

SIP19 24.2x14.4
CASE 127BA
ISSUE O

© Semiconductor Components Industries, LLC, 2012

DATE :



1

