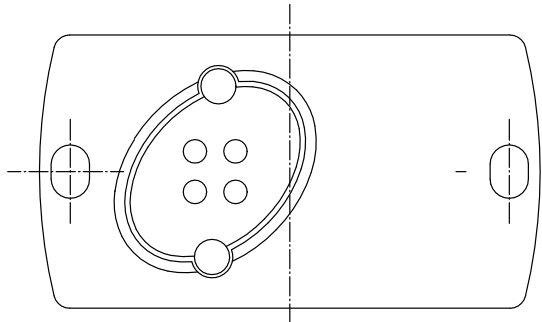


SIP15 47x25.6
CASE 127BC
ISSUE 0

DATE 30 APR 2012



onsemi and are trademarks of Semiconductor Components Industries, LLC dba **onsemi**. **onsemi** reserves the right to make changes without further notice to any products herein. **onsemi** makes no warranty, representation, or claim of any kind, express or implied, for any products herein, for their use in any application outside of the application 5T8.945 0oehe arducts for which they are specifically designed.

