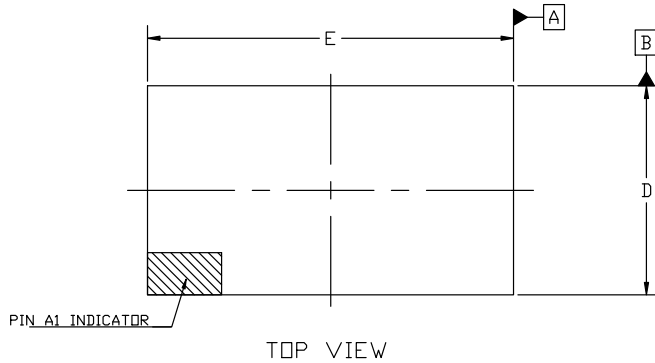


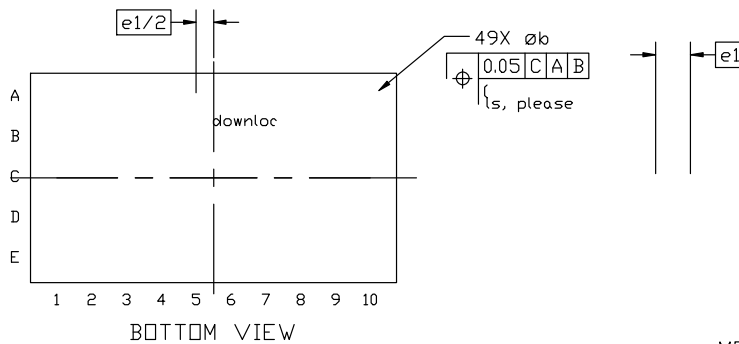
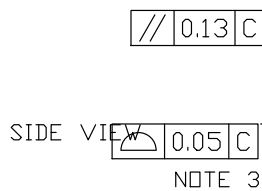
DATE 02 JUN 2023



NOTES:

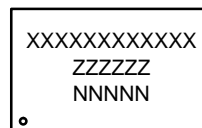
1. DIMENSIONING AND TOLERANCING PER ASME Y14.5M, 1994.
2. CONTROLLING DIMENSION: MILLIMETERS
3. COPLANARITY APPLIES TO THE SPHERICAL

DIM	MILLIMETERS		
	MIN.	NOM.	MAX.
A	---	---	1.275
A1	0.050	0.100	0.150
A2	0.925	1.025	1.125
b	0.250	0.300	0.350
D	2.875	3.000	3.125
E	5.125	5.250	5.375
e1	0.500 BSC		
e2	0.580 BSC		



See the ON Semiconductor Soldering and Mounting Tech

GENERIC MARKING DIAGRAM\*



XXXX = Specific Device Code  
ZZZ = Assembly Lot Code  
NNN = Serial Number

\*This information is generic. Please refer to the device data sheet for actual marking. The "G" or micropipe indicator, "G" or micropipe may not be present. Some markings may not follow the Generic Marking