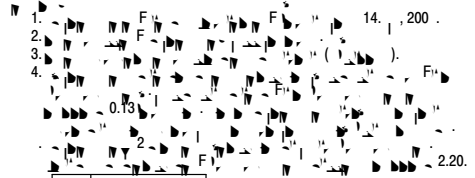
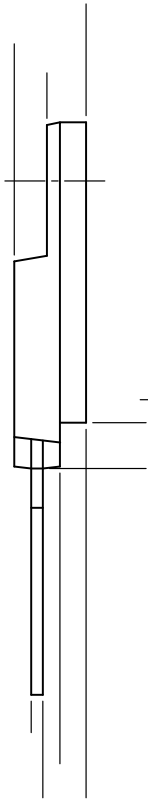
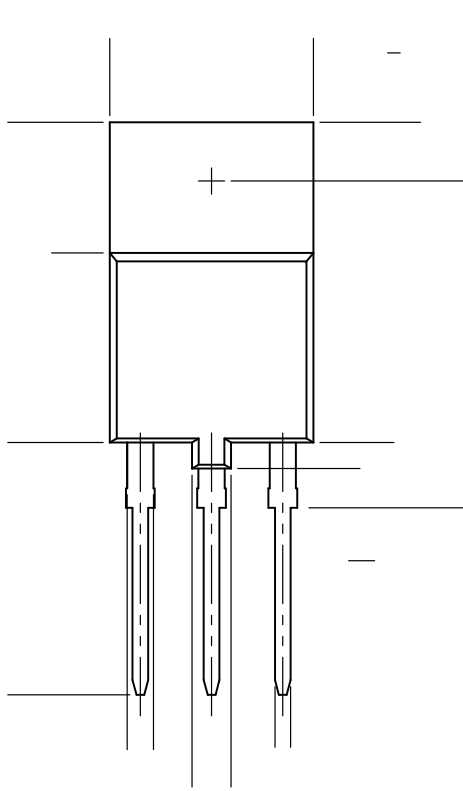


- -  
CASE 340AH  
ISSUE A

DATE 09 JAN 2015



MILLIMETERS		
DIM	MIN	MAX

D 24.30 | 24.0