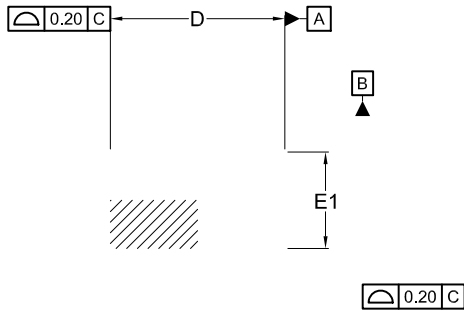




1
SCALE 2:1

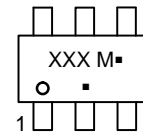
TSOT23 6-Lead
CASE 419BL
ISSUE A

DATE 31 AUG 2020



C

**GENERIC
MARKING DIAGRAM***



XXX = Specific Device Code
 M = Date Code
 ■ = Pb-Free Package

(Note: Microdot may be in either location)

*This information is generic. Please refer to device data sheet for actual part marking. Pb-Free indicator, "G" or microdot "■", may or may not be present. Some products may not follow the Generic Marking.