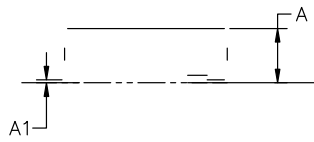
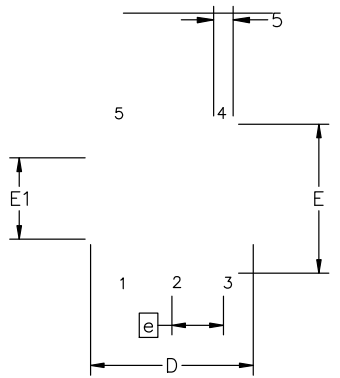
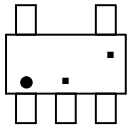


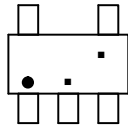
**TSOP-5 3.00x1.50x0.95, 0.95P**



**GENERIC MARKING DIAGRAM\***



**Analog**



**Discrete/Logic**

