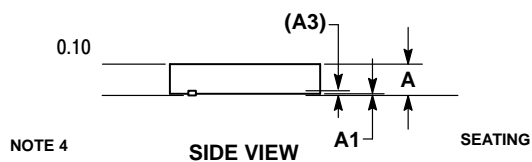
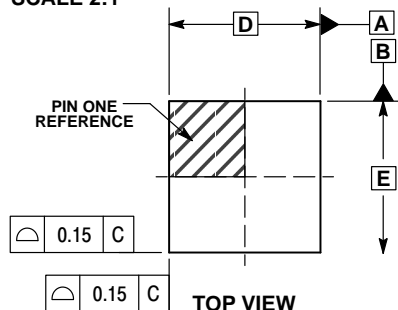


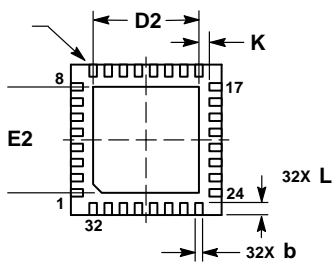
**QFN32 5x5, 0.5P**  
**CASE 485CE**  
**ISSUE O**

DATE 07 FEB 2012

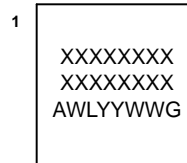
SCALE 2:1



NOTE 4



**GENERIC MARKING DIAGRAM\***



- XXXXXX = Specific Device Code
- A = Assembly Location
- WL = Wafer Lot
- YY = Year
- WW = Work Week
- G = Pb-Free Package

