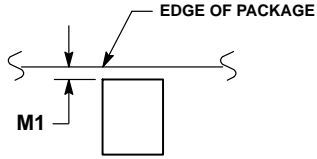
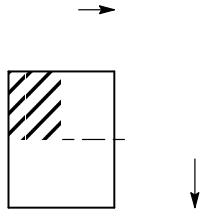
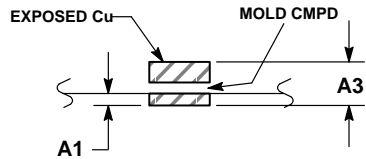


WQFN10, 1.4x1.8, 0.4P



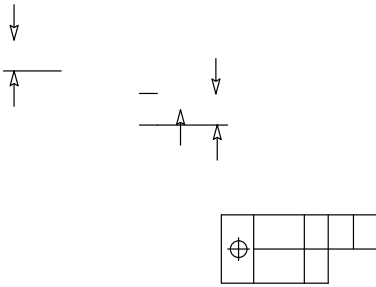
DETAIL A
Bottom View
(Optional)



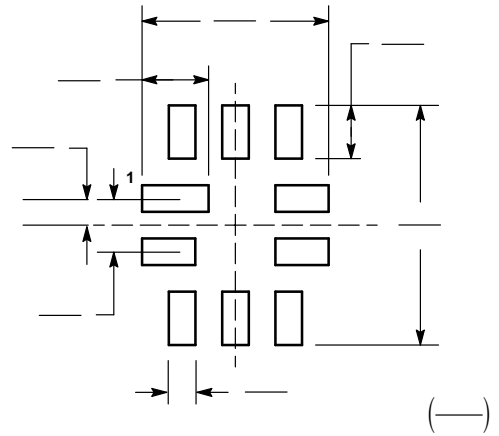
DETAIL B
Side View
(Optional)

	0.15	0.25
	1.80 B ⁺	
M1	0.40	0.60
	0.00	0.05

//



MOUNTING FOOTPRINT



(—)