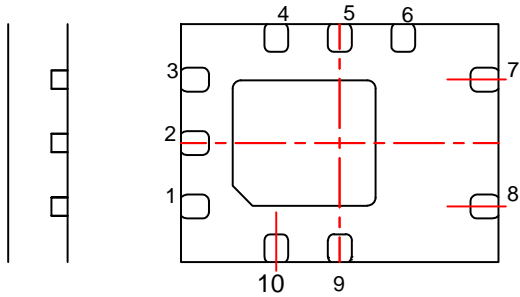
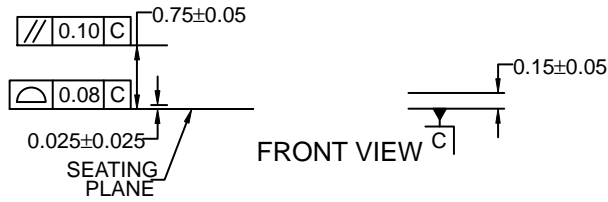
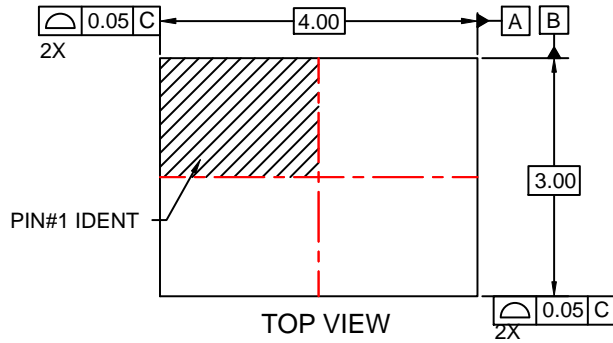


**WDFN10 4x3, 0.8P**  
CASE 511CT  
ISSUE O

DATE 31 JUL 2016



NOTES:

- A. DOES NOT FULLY CONFORM TO JEDEC REGISTRATION, MO 220.
- B. DIMENSIONS ARE IN MILLIMETERS.
- C. DIMENSIONS AND TOLERANCES PER ASME Y14.5M, 2009.
- D. LAND PATTERN RECOMMENDATION IS EXISTING INDUSTRY LAND PATTERN.