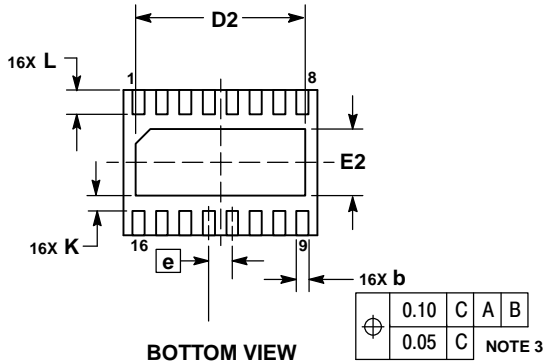
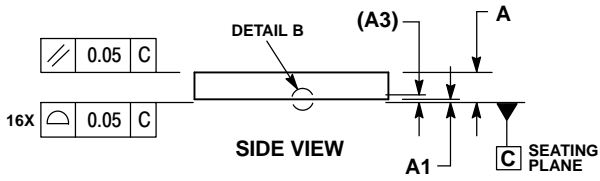
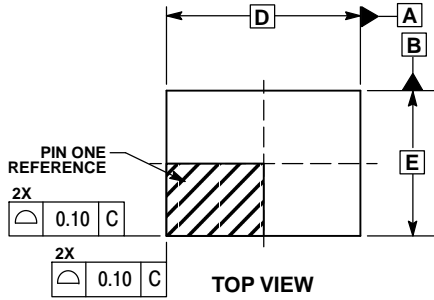


UDFN16 3.2x2.4, 0.4P
CASE 517AL
ISSUE O

16

DATE 04 APR 2007

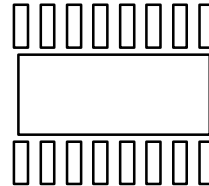
1
SCALE 4:1



NOTES:

1. DIMENSIONING AND TOLERANCING PER ASME Y14.5M, 1994.
2. CONTROLLING DIMENSION: MILLIMETERS.
3. DIMENSION b APPLIES TO PLATED TERMINAL AND IS MEASURED BETWEEN 0.15 AND 0.30 mm FROM THE TERMINAL TIP.
4. COPLANARITY APPLIES TO THE EXPOSED PAD AS WELL AS THE TERMINALS.

DIM	MILLIMETERS	
	MIN	MAX
A	0.45	0.60
A1	0.00	0.05
A3	0.13 REF	
b	0.15	0.25
D	3.20 BSC	
D2	2.70	2.90
E	2.40 BSC	
E2	1.00	1.20
e	0.40 BSC	
K	0.20	---
L	0.30	0.50



*For additional information on our Pb-Free strategy and soldering details, please download the ON Semiconductor Soldering and Mounting T