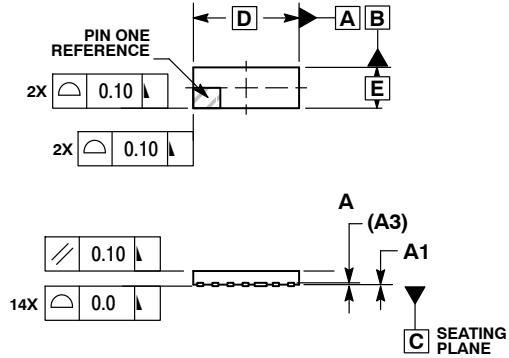


UDFN14, 3.5x1.35, 0.5P
CASE 517CQ
ISSUE O

SCALE 2:1

DATE 17 JAN 2013



NOTES:

1. DIMENSIONING AND TOLERANCING PER ASME Y14.5M, 1994.
2. CONTROLLING DIMENSION: MILLIMETERS.
3. DIMENSION b APPLIES TO PLATED TERMINAL AND IS MEASURED BETWEEN 0.15 AND 0.25 MM FROM THE TERMINAL TIP.

DIM	MILLIMETERS	
	MIN	MAX
A	0.45	0.55
A1	0.00	0.05
A3	0.13 REF	
b	0.15	0.25

D	3.50 BSC
E	1.35 BSC
e	0.50 BSC
L	0.30 0.50

