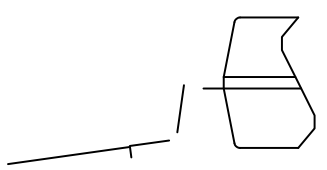
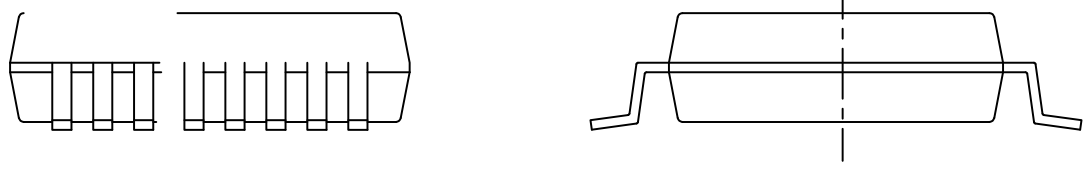
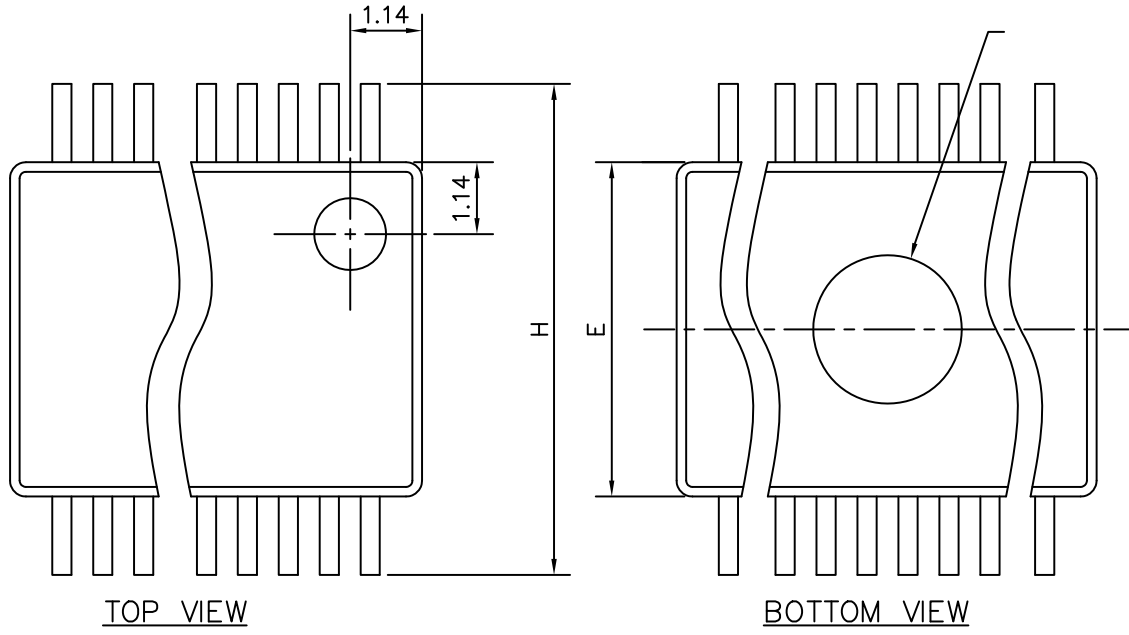


**SSOP 16**  
CASE 565AE  
ISSUE O

DATE 19 SEP 2008



SYMBOL	NOM.	NOTE VARIATIONS	1		
			MIN.	NOM.	MAX.
A	1.86				
A <sub>1</sub>	0.13	AA		6.20	
A <sub>2</sub>	1.68	AB		6.20	
B	-	AC		7.20	
C	0.09			0.20	
D	SEE VARIATIONS				
E	5.30				
e	0.65 BSC				
L1	1.25 REF.				
N	SEE VARIATIONS				
	4°				