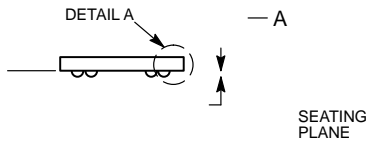
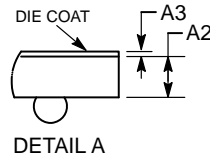
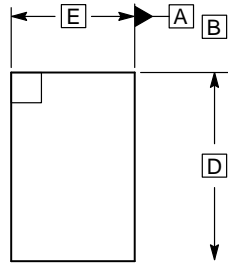




WLCSP8, 3.12x2.04
CASE 567GV
ISSUE B

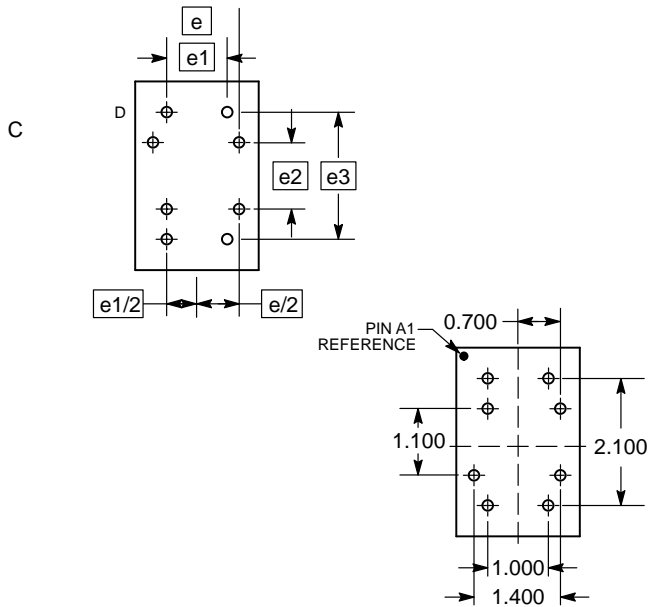
DATE 17 FEB 2014



- NOTES:
1. DIMENSIONING AND TOLERANCING PER ASME Y14.5M, 1994.
 2. CONTROLLING DIMENSION: MILLIMETERS.
 3. COPLANARITY APPLIES TO THE SPHERICAL CROWNS OF THE SOLDER BALLS.
 4. DIMENSION b IS MEASURED AT THE MAXIMUM BALL DIAMETER PARALLEL TO DATUM C.

DIM	MILLIMETERS	
	MIN	MAX
A	iii	0.37
A1		

A3	0.025 REF	
b	0.11	0.14
D	3.12 BSC	
E	2.04 BSC	
e	1.40 BSC	
e1	1.00 BSC	
e2	1.10 BSC	
e3	2.10 BSC	



DOCUMENT NUMBER:	98AON88026E	Electronic versions are uncontrolled except when
DESCRIPTION:		