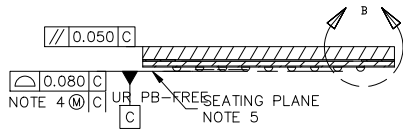
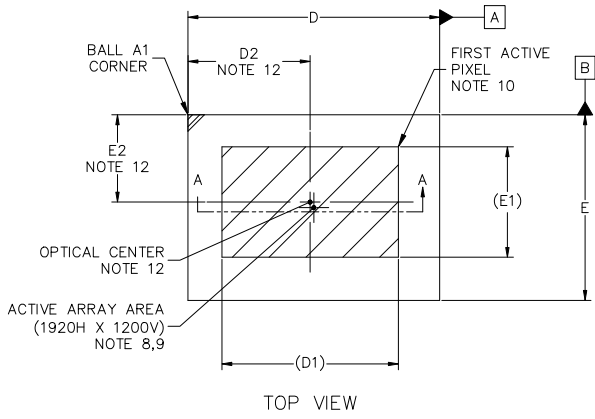


ODCSP62 7.66x5.65x0.62, 0.70P
CASE 570CY
ISSUE B

DATE 09 DEC 2024



STRATE

GY AND SOLDERING DETAILS,

