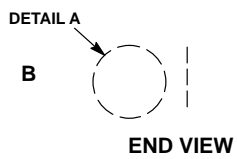
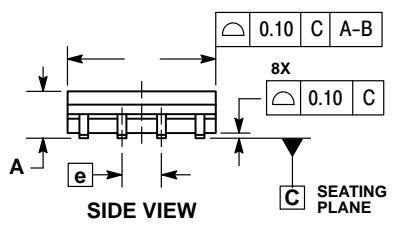
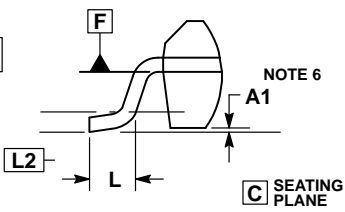
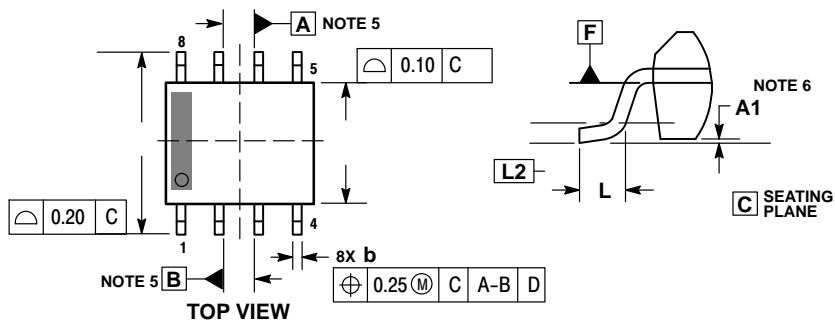
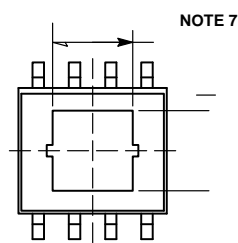


SOIC8-NB EP

SCALE 1:1



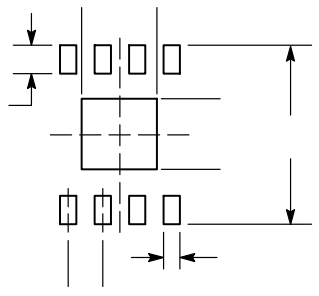
DIM	MILLIMETERS	
	MIN	MAX
A		
A1		
b		
b1		



e		
g		
h		
L2		

GENERIC MARKING DIAGRAM*

RECOMMENDED SOLDERING FOOTPRINT*



onsemi