

Bandgap Circuit

Description

The HX11BA is a precision bandgap reference circuit. It provides a stable reference voltage over a wide range of temperatures and supply voltages. The circuit is designed for low current consumption and high accuracy.

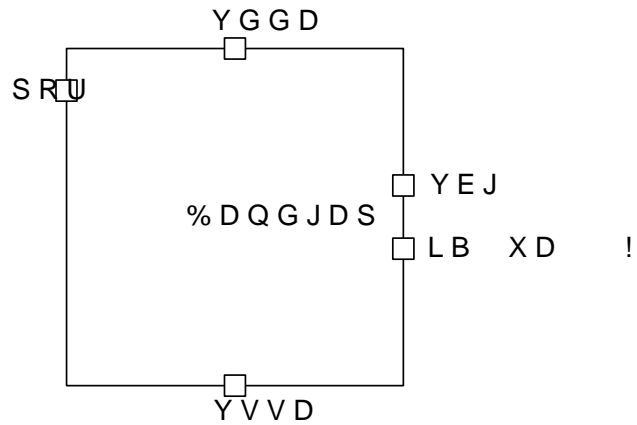
Features

- Ux# # # #
- x)

Applications

- x 8
- x 8 hu° u'

Block Diagram



Specifications

Parameter	Conditions	Min	Typ	Max	Unit
o †	†
u k	#
" †	†
† u #	#
hu° u# o