

12-bit, 100kHz Digital to Analog Converter

Description

The HX11DA is a 12-bit digital to analog converter that can accept an input frequency bandwidth of 100kHz. Suitable for environments up to 125°C, the DAC is optimized to provide high accuracy conversion of low bandwidth digital signals into the analog domain. It includes an output buffer capable of driving loads up to 100pF.

Features

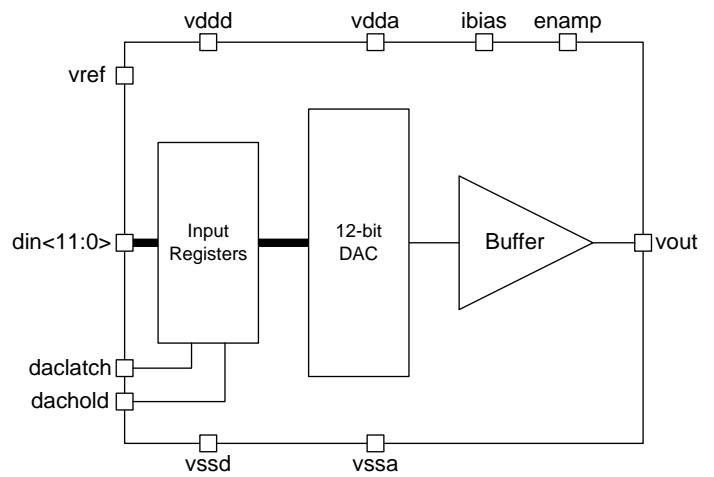
- x 12-bit accuracy: 0.6LSB maximum DNL
- x Output range of 0.3V to 2.9V
- x 3.3V analog supply, 1.8V digital supply
- x Extended temperature range 40°C to 125°C
- x Dimensions 195um x 312um (0061mm²)

Applications

- x Calibration & tuning functions
- x Control loops

Specifications

Block Diagram



Parameter	Conditions	Min	Typ	Max	Unit
-----------	------------	-----	-----	-----	------